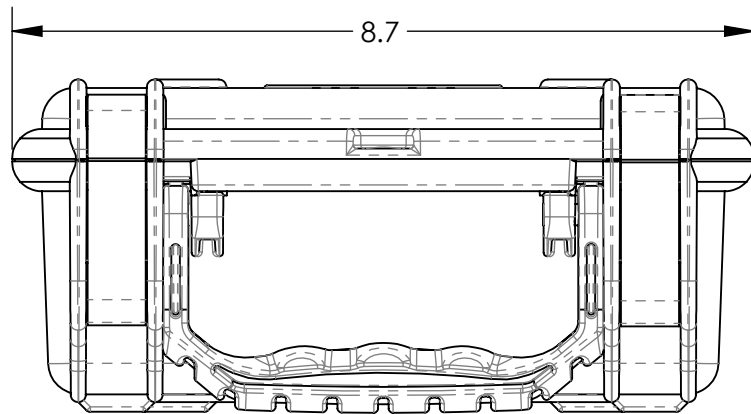
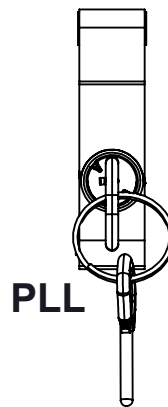


SECTION A-A



Latch with Plastic Lock



PLL

Latch with Metal Lock



MLL

Optional latches must be specified at time of order. See note 2

NOTES:

- 1) Max. usable inside dimensions are:
7.50" X 5.00" X 3.23"
- 2) With Metal Lock Latches p/n SE120ML and Plastic Lock Latches p/n SE120PL are optional.

7151 Top Panel for 120

